



The
**Shower
Drain
Relocator**[®]



Package B

Parts List and Specifications



*Visit us online
to find a store
near you.*
www.CODAUS.com
info@codaus.com
(970) 538-7177

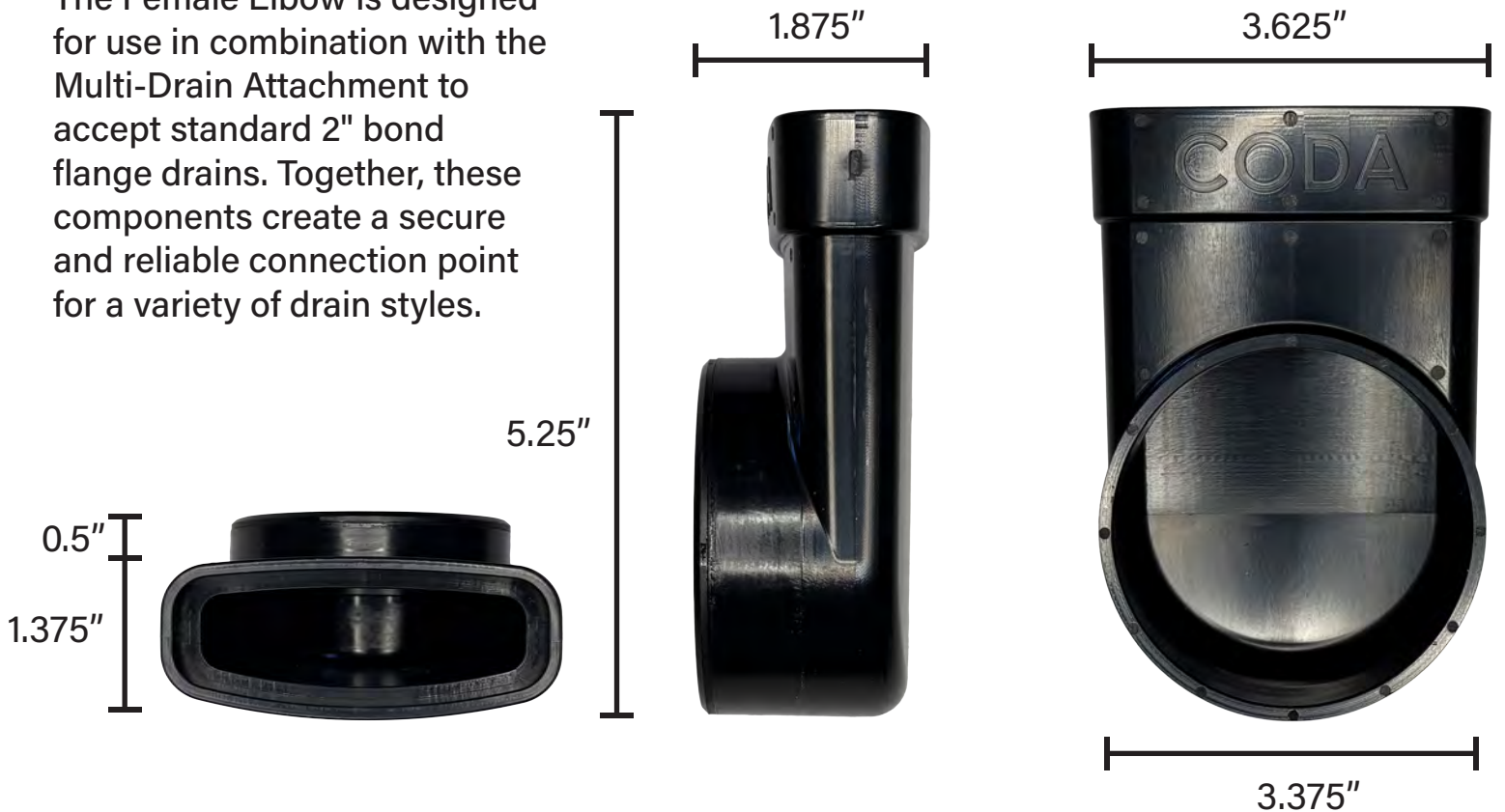
Male Elbow

The Male Elbow features a smooth socket connection designed to slide directly over a standard 2" pipe stub for a secure, streamlined fit. It can also be used with clamp drains when paired with an adapter (not included).



Female Elbow

The Female Elbow is designed for use in combination with the Multi-Drain Attachment to accept standard 2" bond flange drains. Together, these components create a secure and reliable connection point for a variety of drain styles.



Multi-Drain Attachment

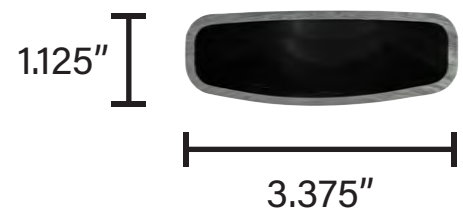
The Multi-Drain Attachment fits directly into the Female Elbow and features a smooth connection designed to accept standard 2" bond flange drains.



18 Inch Extension

The 18" Extension serves as the primary length component of the system, connecting directly to CODA elbows. This piece can be cut to a custom length for a precise fit during installation.

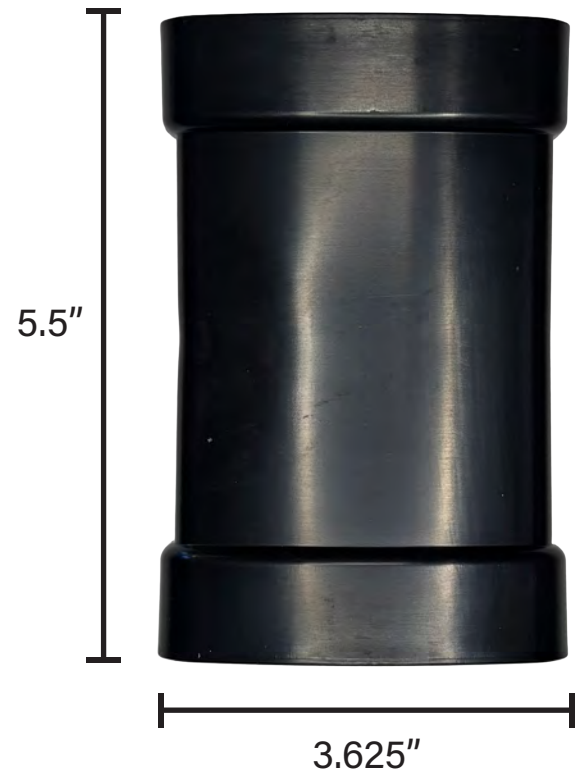
It also integrates with the 5.5" Extension, allowing the system to reach a maximum overall extension of 32" (30" center-to-center).



18"

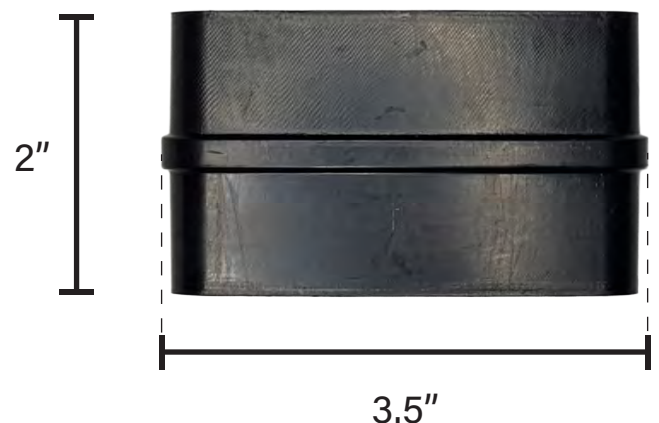
5.5 Inch Extension

The 5.5" Extension provides additional length for fine-tuning drain placement within the system. It can connect between elbows using the included couplers, or link an elbow to the 18" Extension for expanded reach.



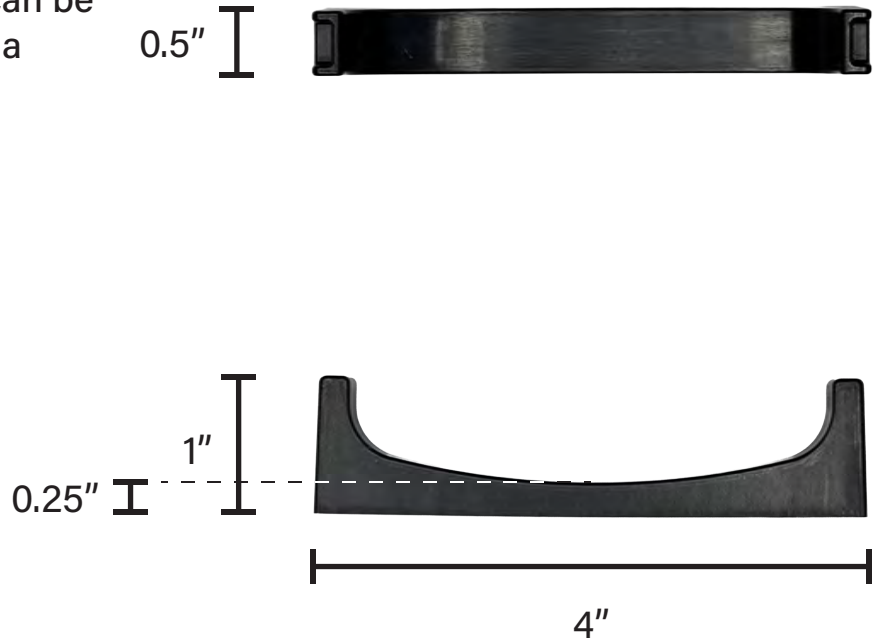
Couplers (x2)

The included couplers are used to securely connect system components, including attaching elbows to the 5.5" Extension. A single coupler can also be used to connect two elbows directly when needed.



U-Shims (x2)

U-Shims are designed to support the assembled system while establishing the proper slope required for drainage. Each shim provides a 0.25" height increase, helping achieve the standard 0.25" per foot pitch required by plumbing code. For additional elevation, a U-Shim can be stacked with a Flat Shim to provide a total of 0.5" of lift.



Flat Shim

The Flat Shim provides an additional 0.25" of height when combined with a U-Shim, allowing for precise slope adjustments within the system. Used to help achieve the required drainage pitch, this component supports proper alignment and consistent water flow.

